

ONKYO SERVICE MANUAL

AUTOMATIC RETURN TURNTABLE Model CP-1007A



UDN, UDC, UD	120V AC, 60Hz
UGV, UG	220V AC, 50Hz
UW	120 or 220V AC, 50/60Hz
UQA, UQB	240V AC, 50Hz

SAFETY-RELATED COMPONENT WARNING!!

COMPONENTS IDENTIFIED BY MARK \triangle ON THE SCHEMATIC DIAGRAM AND IN THE PARTS LIST ARE CRITICAL FOR RISK OF FIRE AND ELECTRIC SHOCK. REPLACE THESE COMPONENTS WITH ONKYO PARTS WHOSE PARTS NUMBERS APPEAR AS SHOWN IN THIS MANUAL.

MAKE LEAKAGE-CURRENT OR RESISTANCE MEASUREMENTS TO DETERMINE THAT EXPOSED PARTS ARE ACCEPTABLY INSULATED FROM THE SUPPLY CIRCUIT BEFORE RETURNING THE APPLIANCE TO THE CUSTOMER.

SPECIFICATIONS

Type:	2-speed automatic-return turntable with cueing lever
Turntable Platter:	31 cm (12-1/4") Aluminum diecast
Motor:	4 pole synchronous
Speeds:	33-1/3 rpm, 45 rpm
Wow & Flutter:	0.045% WRMS
Signal-to-Noise Ratio:	66 dB (IEC-Y, DIN-B)
Tonearm:	Static balanced straight-type pipe arm
Effective Arm Length:	210 mm (8-5/16")
Overhang:	13 mm (1/2")
Maximum Tracking Error:	+4.5 degrees, -1 degree
Usable Cartridge Weight:	Min. 5.0 g, Max. 9.0 g
Power Supply:	AC 120V, 60 Hz
Dimensions (W x H x D):	418mm x 132mm x 374mm 16-1/2" x 5-1/6" x 14-6/8"
Weight:	4.1 kg (9 lbs.)

Optional Recommended Headshell: SH-21F

In the interest of further product improvements, specifications are subject to change without notice.

ONKYO
AUDIO COMPONENTS

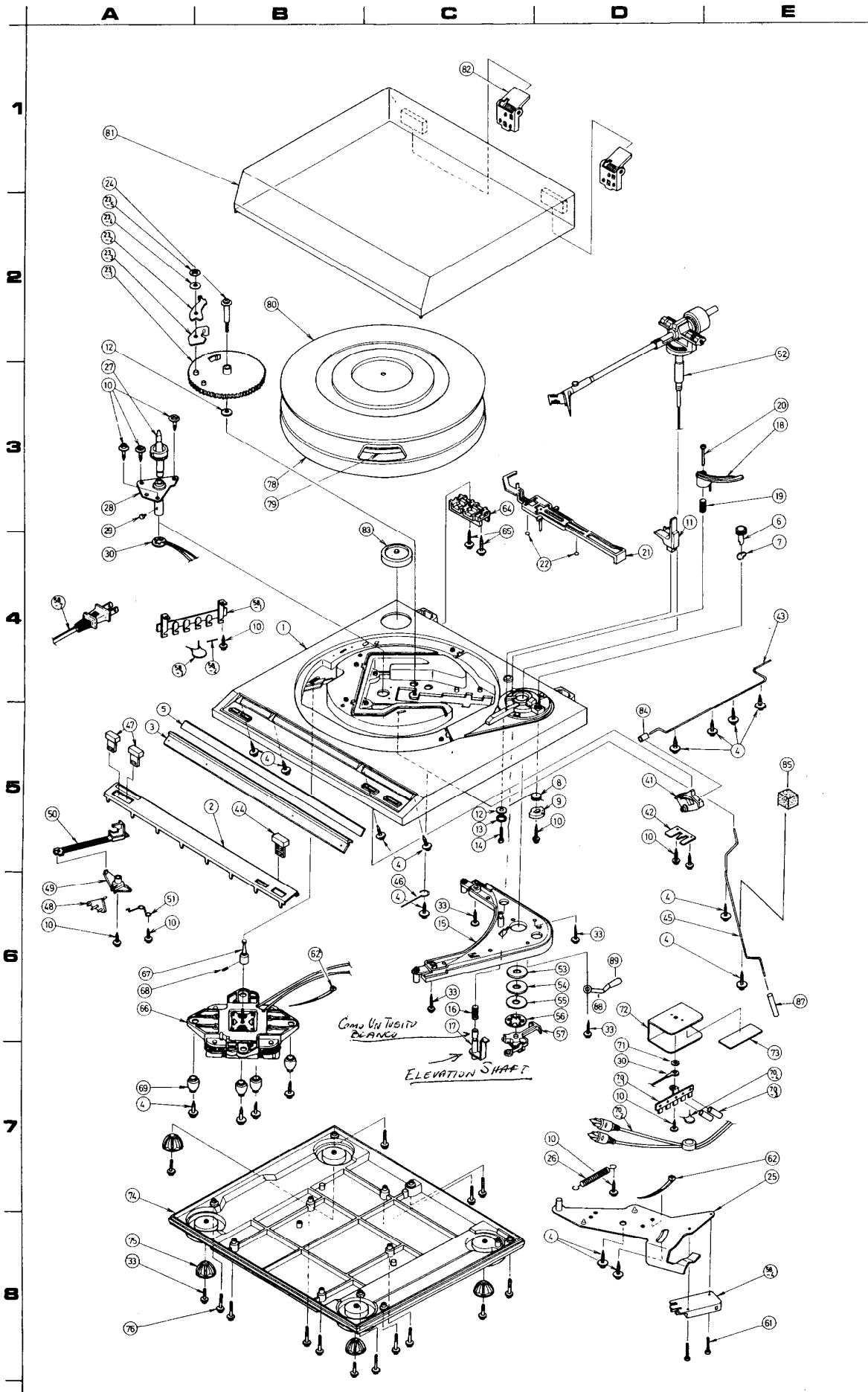
PARTS LIST

PLACE	REF. NO.	PARTS NO.	DESCRIPTION	DESCRIPTION	PLACE	REF. NO.	PARTS NO.	DESCRIPTION	DESCRIPTION	PLACE	REF. NO.	PARTS NO.	DESCRIPTION
B4	1	28110329	Cabinet board	3TTW+10P (BC), Tapping screw	B4	58-1	24506371	Terminal	Terminal				
B5	2	28110330	Cabinet board (B)	Cueing lever	B4	58-2	3500065A	Lead wire	Lead wire				
A5	3	28133135	Operation plate	Cueing lever (B)	△ B4	58-3	24503023	Microswitch	0.01µF, AC400V/125V Capacitor IS				
		28133137	Operation plate (B)	Holder for-41	△ E8	58-4	25065138	Voltage selector switch (U)	Microswitch				
		24509292	Cover	Cueing rod		58-5	253099A or	Power supply cable (D)	Voltage selector switch (U)				
		24509292-1	Cover (B)	Reject button	△ A4	58-6	24505076	Power supply cable (G/U)	Tube (U)				
A5	4	801295	3TWT+8B, Tapping screw	Reject button (B)		58-7	24505064	Insulator sheet (G/U)	Power supply cable (D)				
A5	5	28133136	Plate	Reject spring			24505068	Tube (G/U)	Power supply cable (G/U)				
E3	6	24504399	IFC knob ass'y	Buton spring			24509305	2.6P+14FN (BC), Pan head screw (D)	Insulator sheet (G/U)				
E4	7	24506243	Wave washer	Speed button			82142614	2.6P+16FN (BC), Pan head screw (G/U)	Tube (G/U)				
D5	8	24503131	IFC spring	Speed button (B)			82142618	Binder	2.6P+16FN (BC), Pan head screw (G/U)				
D5	9	24504271	IFC cam	Change arm	E8	61		Holder	2.6P+16FN (BC), Pan head screw (G/U)				
D3	10	831430088	3TTW+8B (BC), Tapping screw	Change cam			24506517	3TTTS+16B (BC), Tapping screw	2.6P+16FN (BC), Pan head screw (G/U)				
C5	11	24509294	Tonearm rest	Belt guide			834430168	1M-S275-8BUCF-11, Motor ass'y (D)	2.6P+16FN (BC), Pan head screw (G/U)				
C5	12	87613008	W3x8FN, Flat washer	Spring	A4, B6	62	24502161	1M-S275-8CF-11, Motor ass'y (G)	2.6P+16FN (BC), Pan head screw (G/U)				
C5	13	8711430	SW-3 Spring washer	Tonearm ass'y	C3	64	24502162	1M-S275-8DF-11, Motor ass'y (U)	2.6P+16FN (BC), Pan head screw (G/U)				
C5	14	834430208	3TTTS+20 (BC), Tapping screw	Attachment screw	C4	65	24502024	Motor pulley, 60Hz (D)	2.6P+16FN (BC), Pan head screw (G/U)				
C6	15	24509295	Sub-base	Weight ass'y	△ A6	66	24502022	Motor pulley, 50Hz (G/U)	2.6x2mm, screw				
C6	16	24503011-1	Spring, button	Cartridge attachment screw ass'y (D)			24509302	Motor cushion	2.6x2mm, screw				
C6	17	24506660	Elevation shaft	Nut			24505066	Terminal ass'y	Motor cushion				
E3	18	24504321	Elevation plate	Washer	A6	67	24506151	Terminal	Terminal				
E3	19	24503070	Spring	2.6x10mm, screw (G/U)	A6	68	24500486	Output cable	Terminal				
D4	20	82143012	3P+12FN (BC), Pan head screw	Washer	A7	69	335124724	3x14, Tube	Output cable				
D4	21	24506661	Actuating arm	Nut			87313008	TOW-3, Toothed washer	3x14, Tube				
D4	22	270555	4mm, Steelball	Cartridge attachment screw ass'y (D)			24506208A	Shielded plate	0.0047µF, 50V, Ceramic capacitor				
A2	23	24506662	Return gear ass'y	Nut			261021	Tape UL	TOW-3, Toothed washer				
A2	23-1	24503032	Return gear	Washer			27170161	Bottom board	Shielded plate				
A2	23-2	24506663	Clutch plate	Washer			27275043	Leg	Tape UL				
A2	23-3	24506664	Clutch guide	OC-65V, Cartridge	D7	70-1	834430168	3TTTS+16B (BC), Tapping screw	Bottom board				
A2	23-4	87613008	W3x8FN, Flat washer	DN-65ST, Stylus	D7	70-2	24502158	Turntable platter	Leg				
A2	23-5	891030	CS-3, CS ring	FW10x22x0.6mm, Flat washer	E7	70-3	24509323	T.T sheet	Turntable platter				
A1	24	24506537	Attachment screw	Rubber washer	E7	70-4	24509320	Dust cover ass'y	Belt				
E7	25	24506220	Operation plate (D)	Rubber washer	D6	72	24506208A	Hinge (B)	T.T sheet				
D7	26	24506665	Operation plate (G/W)	CS-10, CS ring	E7	73	261021	45 rpm adaptor	Dust cover ass'y				
A3	27	24502163	T.T shaft	Arm base ass'y	A8	74	27170161	Tube	Hinge (B)				
A3	28	24502164	T.T bearing	Switch ass'y (D)	A8	75	27275043	Tube	Hinge (B)				
A4	29	24502165	Stopper pin	Switch ass'y (G)	B3	78	24502158	Tube	45 rpm adaptor				
A4, D7	30	24505153	Ground wire (D)	Switch ass'y (U)	B3	79	242129B	Tube	Tube				
		24505151	Ground wire (G/U)	Switch ass'y (U)	B2	80	24509323	Tube	Tube				
					A1	81	24509320	Terminal	Terminal				
					C1	82	28180078	Tube	Tube				
					C4	83	292049A	Terminal	Terminal				
					D5	84	79027	Tube	Tube				
					E5	85	79027	Tube	Tube				
					E6	87	79027	Tube	Tube				
					D6	88	79027	Tube	Tube				
					D6	89	79027	Tube	Tube				

Note: (D) : Only 120V model
(G) : Only 220/240V model
(U) : Only Universal model
(B) : Only black model

NOTE: THE COMPONENTS IDENTIFIED BY MARK △
ARE CRITICAL FOR LIK OF FIRE AND
ELECTRIC SHOCK. REPLACE ONLY WITH
PARTS NUMBER SPECIFIED.

EXPLODED VIEW



SERVICE PROCEDURES

Instruction resistance measurement

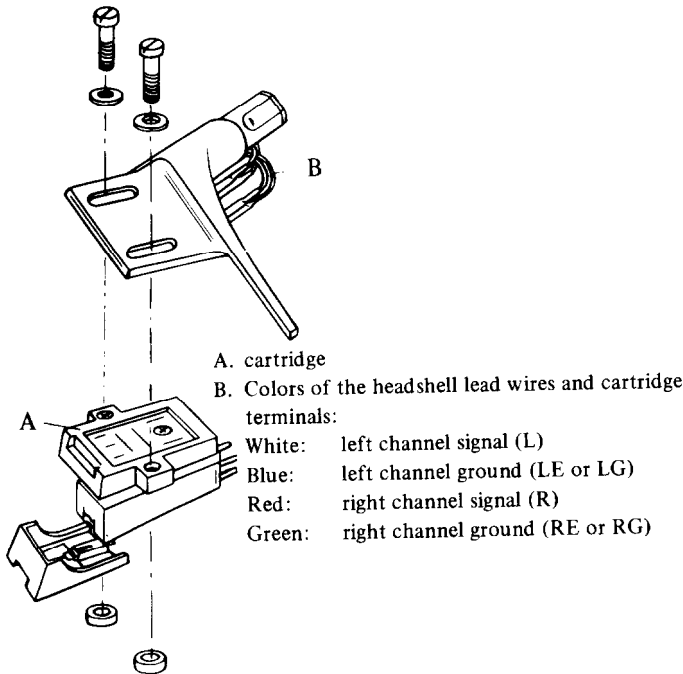
Connect the insulating-resistance tester between the plug of power supply cord and chassis.

Specifications: G/W models 500 V more than 10 MΩ

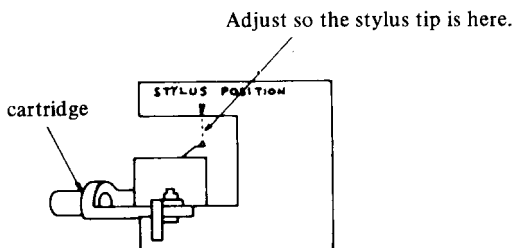
Attaching the cartridge

Please use the included headshell when attaching the cartridge. The headshell is designed for almost all cartridges on the market today; be careful not to buy a cartridge that is not compatible. In general, cartridges with a mass of 5 – 9 grams should be employed.

Attach the cartridge as shown below, connecting each of the color coded lead wires to the proper terminal. If a mistake is made, no sound will be heard or stereo reproduction will be lost. Also, to prevent damage to the stylus during installation operations, leave its cover on or remove the stylus completely.



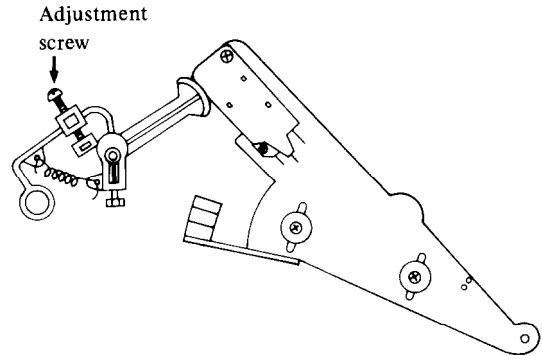
Use the included overhand gauge as shown below, placing the cartridge in the gauge and setting the location of the stylus tip as indicated.



ADJUSTMENT PROCEDURES

Automatic shut-off position adjustment

Adjust the shut-off position with the fine adjustment screw. After the adjustment, apply lock-tite to the screw. To adjust the shut-off position for earlier, turn the screw counter-clockwise. To adjust the shut-off position for later, turn the screw clockwise.



CONNECTION DIAGRAM

